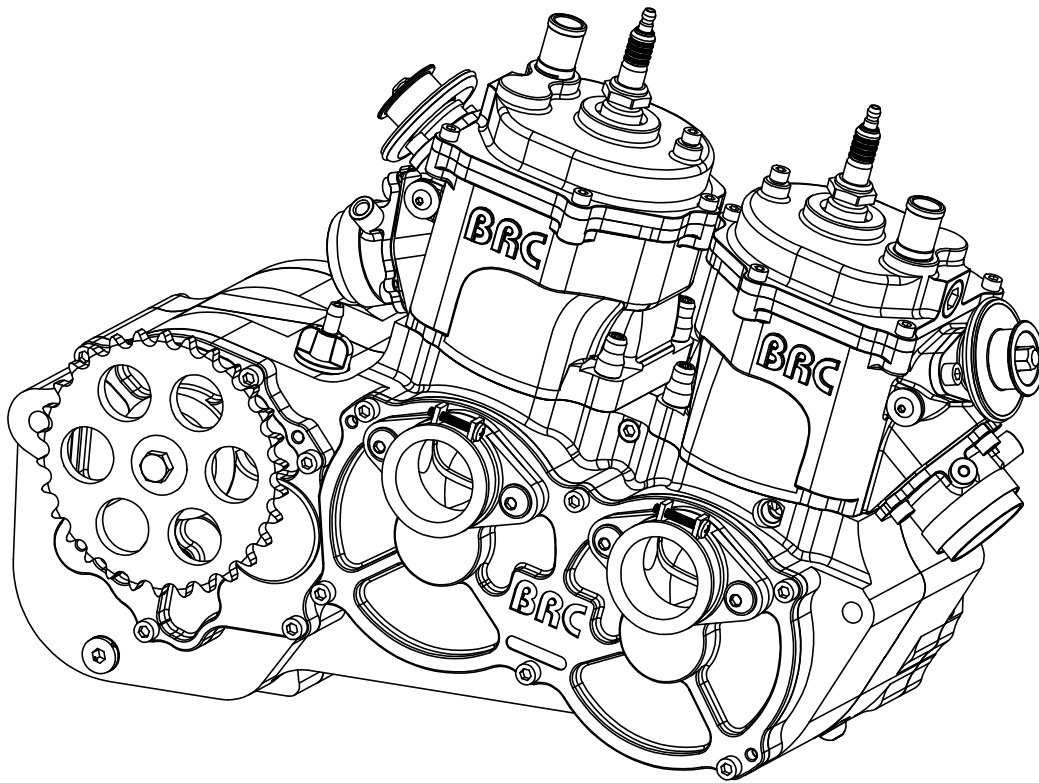


PARTS LIST

BRC 250 FE



SERIAL NO: _____

BRC Racing
A Division of BRC Engineering Ltd.
#6 - 655 42nd Ave NE
Calgary, Alberta
Canada
T2E 6S1
Tel: 403-216-0630
Fax: 403-216-0639
Web: www.brceng.com

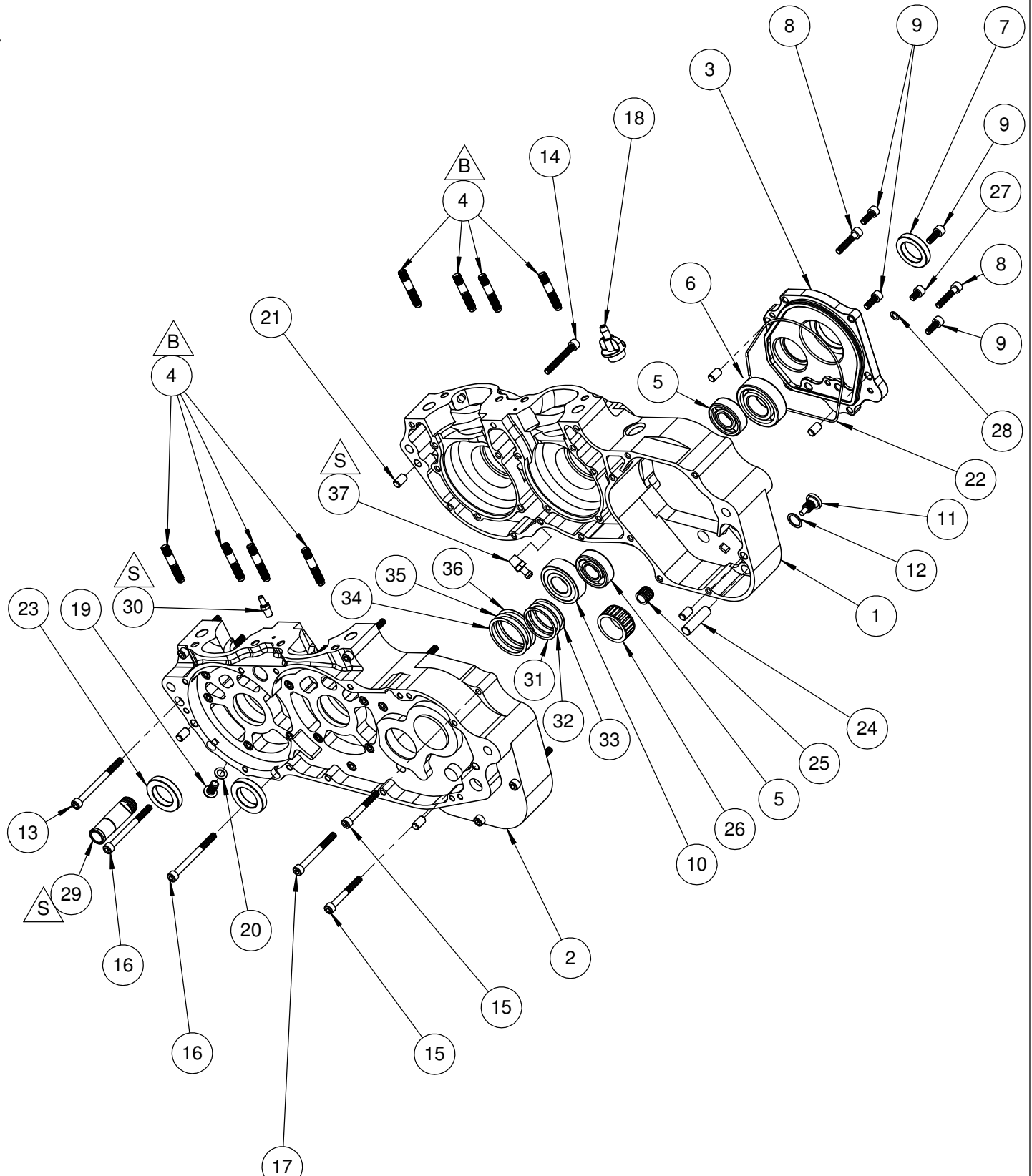
RELEASE DATE:

04 - 2006



TABLE OF CONTENTS

CRANK CASE & TRANSMISSION COVER	1
FRONT & REAR CRANKSHAFTS	3
TRANSMISSION	5
TANDEM GEAR & DISC VALVE COVER	7
CYLINDER ASSEMBLY	9
CLUTCH ASSEMBLY	11
IGNITION SYSTEM	13
PNUEMATIC POWER VALVE	15
ELECTRONIC POWER VALVE	17
ELECTRONIC POWER VALVE VERSION 2	19



19 PLACES

= BLUE LOCTITE (MEDIUM)

= SEALANT



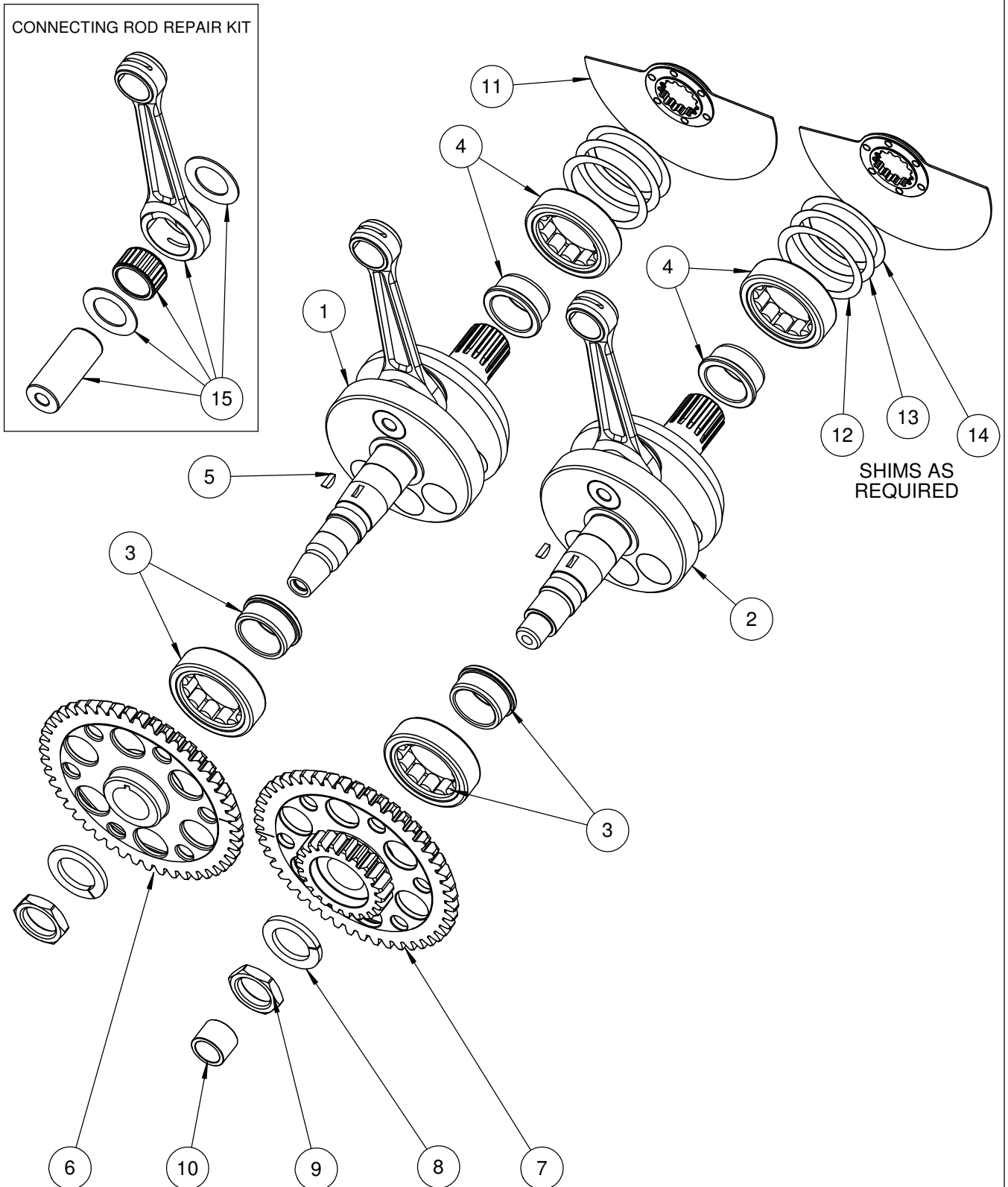
BRC 250 FE

CRANK CASE &
TRANSMISSION COVER

ITEM	PART NUMBER	DESCRIPTION	QTY
1	02-01-002	Right Hand Crank Case	1
2	02-01-001	Left Hand Crank Case	1
3	02-01-005	Transmission Cover	1
4	02-01-008	Cylinder Case Stud	8
5	01-09-004	Ball Bearing 6203	2
6	01-09-003	Ball Bearing 6205	1
7	01-08-002	Oil Seal 25 x 38 x 7mm	1
8	01-01-006	SHC M6 x 1.0 x 30mm	2
9	01-01-015	SHC M6 x 1.0 x 16mm	4
10	01-09-006	Ball Bearing 6204RS	1
11	02-01-015	Magnetic Drain Plug M12 x 1.5mm	1
12	01-12-009	Gasket 13 x 17 x 1.5mm	1
13	01-01-018	SHC M6 x 1.0 x 75mm	1
15	01-01-003	SHC M6 x 1.0 x 50mm	2
16	01-01-004	SHC M6 x 1.0 x 70mm	2
17	01-01-001	SHC M6 x 1.0 x 60mm	19
18	02-01-016	Oil Filler Cap/Vent	1
19	01-01-005	BHC M8 x 1.25 x 16mm	1
20	01-12-006	Gasket 8 x 12 x 1mm	1
21	01-07-003	Hollow Dowel 8 x 6.4 x 14mm	6
22	01-06-001	O-Ring 118 x 2mm	1
23	01-08-001	Oil Seal 25 x 40 x 7mm	2
24	01-07-006	Dowel Pin 10 x 37.5mm	1
25	01-09-001	Needle Bearing HK1012	1
26	01-09-002	Needle Bearing HK2816	1
27	01-01-019	SHC M6 x 1.0 x 10mm	1
28	01-12-007	Gasket 6 x 10 x 1mm	1
29	02-01-010	Water Fitting - Long	1
30	02-01-013	NPT Coolant Fitting - Option	1
31	01-03-023	Shim 34 x 39.5 x 0.1mm	1
32	01-03-022	Shim 34 x 39.5 x 0.3mm	1
33	01-03-021	Shim 34 x 39.5 x 0.5mm	1
34	01-03-026	Shim 40 x 46.5 x 0.1mm	1
35	01-03-025	Shim 40 x 46.5 x 0.3mm	1
36	01-03-024	Shim 40 x 46.5 x 0.5mm	1
37	02-01-011	Fitting 1/8" NPT	1

RELEASE DATE:

04 - 2006

CONNECTING ROD REPAIR KIT



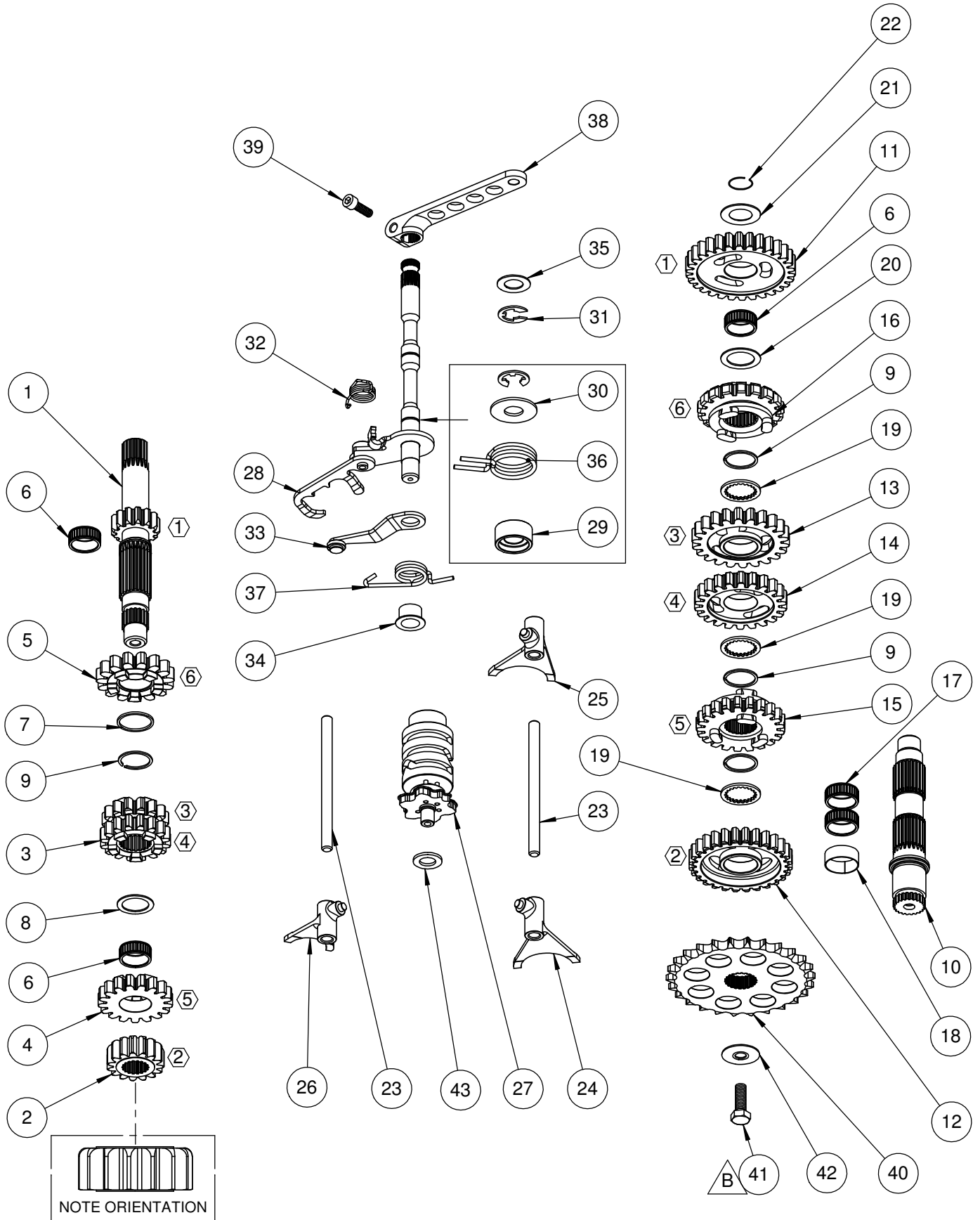
BRC 250 FE

FRONT & REAR
CRANKSHAFT

ITEM	PART NUMBER	DESCRIPTION	QTY
1	02-04-008	Front Crankshaft	1
2	02-04-009	Rear Crankshaft	1
3	01-09-024	Roller Bearing NJ205 Brass Cage	2
4	01-09-007	Roller Bearing NJ205	2
5	01-13-001	Woodruff Key 3mm X 3.7mm	2
6	02-05-026	Front Tandem Gear	1
7	02-05-027	Rear Tandem Gear	1
8	01-03-017	Spring Washer 22 X 35 X 3.25mm	2
9	02-04-012	Crank Nut M22 x 1.5mm	2
10	02-04-013	Rear Crank Bearing Spacer	1
11	02-08-008	Carbon Rotary Valve	2
12	01-03-008	Shim 42 X 52 X 0.1mm	As Req'd
13	01-03-027	Shim 42 X 52 X 0.2mm	As Req'd
14	01-03-028	Shim 42 X 52 X 0.3mm	As Req'd
15	02-04-011	Connecting Rod Repair Kit	As Req'd

RELEASE DATE:

04 - 2006



B = BLUE LOCTITE (MEDIUM)



BRC 250 FE

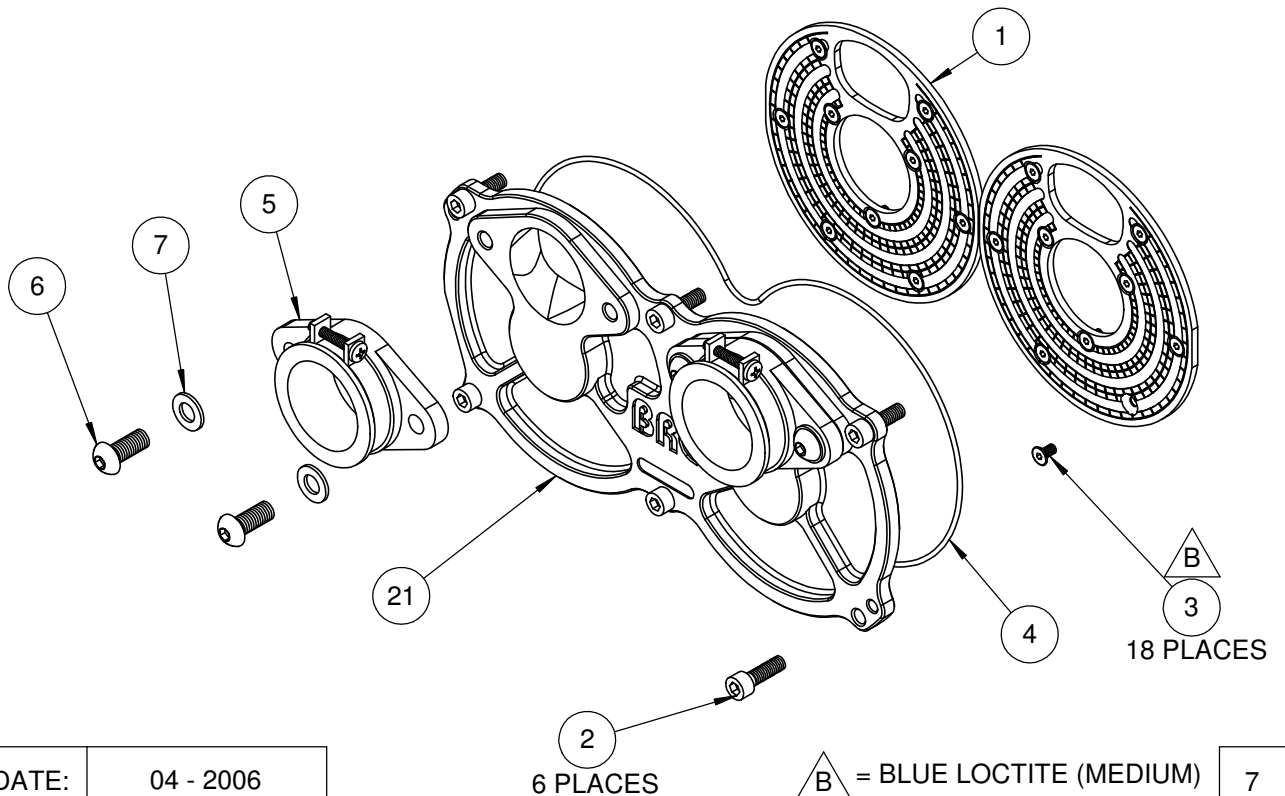
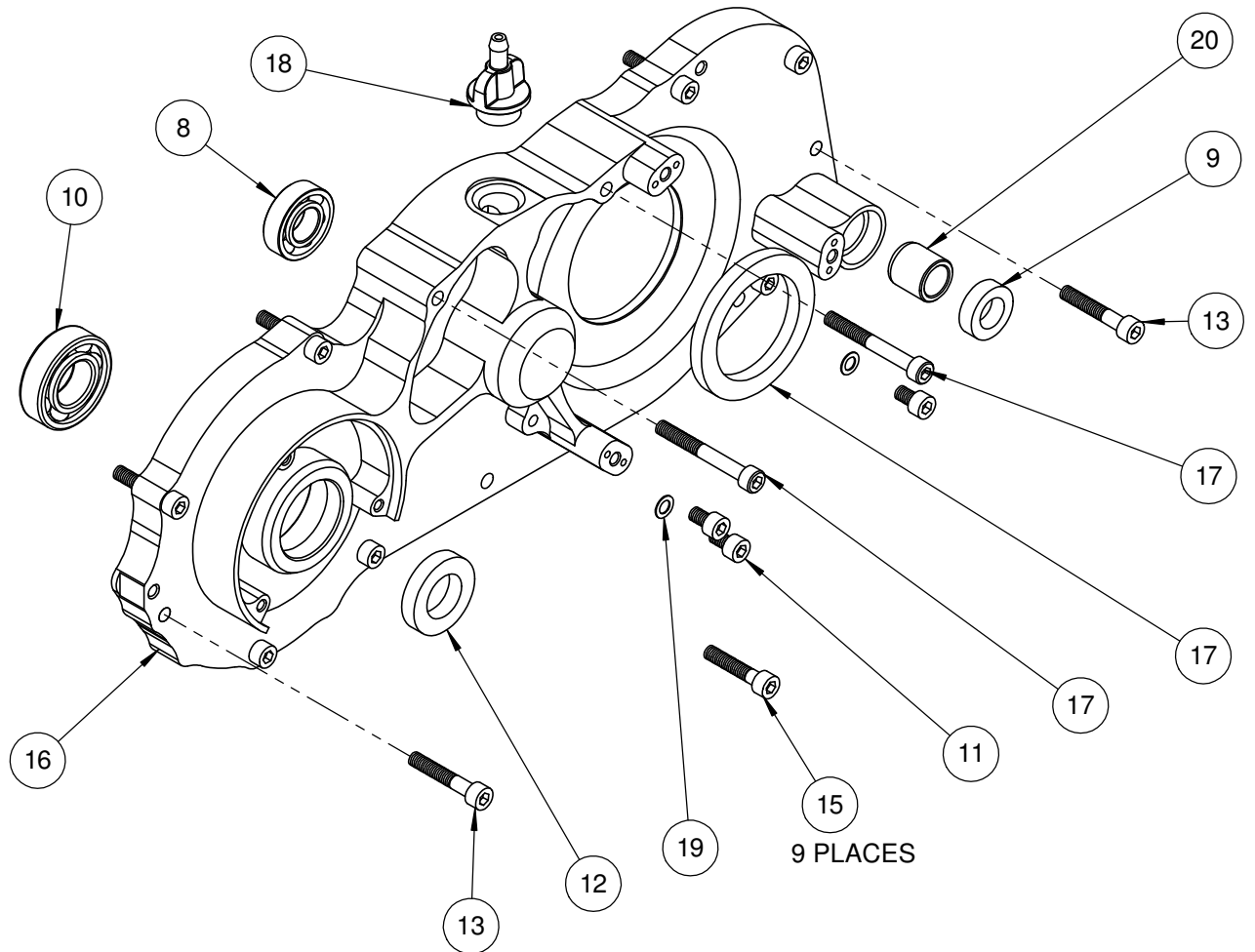
TRANSMISSION

ITEM	PART NUMBER	DESCRIPTION	QTY
1	02-05-005	Clutch Shaft - 13T	1
2	02-05-001	Clutch Shaft - 2nd Gear - 15T	1
3	02-05-002	Clutch Shaft - 3rd & 4th Gear - 14/16T	1
4	02-05-003	Clutch Shaft - 5th Gear - 17T	1
5	02-05-004	Clutch Shaft - 6th Gear - 15T	1
6	01-09-010	Needle Bearing 20 X 24 X 10mm	3
7	01-03-019	Thrust Washer 24.2 X 28 X 1.5mm	1
8	01-03-020	Thrust Washer 20 X 28 X 1mm	1
9	01-05-003	C-Clip 24mm	4
10	02-05-013	Main Shaft	1
11	02-05-007	Main Shaft - 1st Gear - 30T	1
12	02-05-008	Main Shaft - 2nd Gear - 28T	1
13	02-05-009	Main Shaft - 3rd Gear - 22T	1
14	02-05-010	Main Shaft - 4th Gear - 22T	1
15	02-05-011	Main Shaft - 5th Gear - 21T	1
16	02-05-012	Main Shaft - 6th Gear - 17T	1
17	01-09-009	Needle Bearing 21 X 25 X 10mm	2
18	01-09-022	Split Bushing 24 X 25 X 10mm	1
19	01-03-010	Thrust Washer 22 X 30 X 1.8mm - Internal Spline	3
20	01-03-012	Thrust Washer 20.5 X 30 X 1mm	1
21	01-03-013	Thrust Washer 17 X 30 X 1mm	1
22	01-05-005	Circlip 15 x 0.7mm	1
23	02-05-036	Shift Fork Dowel	2
24	02-05-033	Shift Fork 2nd - 4th Gear	1
25	02-05-034	Shift Fork 1st - 3rd	1
26	02-05-032	Shift Fork 5th - 6th Gear	1
27	02-05-021	Shift Drum	1
28	02-05-030	Shift Shaft Assembly	1
29	02-05-029	Shift Shaft Spacer	1
30	01-03-016	Shift Shaft Spring Washer	1
31	01-05-004	E-Clip 12mm	2
32	01-10-005	Pawl Return Spring	1
33	02-05-025	Shift Follower Assembly	1
34	02-05-035	Shift Follower Return Spring Sleeve	1
35	01-03-029	Spacer 14.2 X 25 X 1mm	1
36	01-10-007	Shift Shaft Spring	1
37	01-10-006	Shift Follower Spring	1
38	02-05-038	Shift Lever	1
39	01-01-002	SHC M6 X 1.0 X 20mm	1
40	02-05-031	Drive Sprocket - 26T Standard	1
41	01-01-017	Hex Bolt M8 X 1.25 X 25mm Grade 10.9	1
42	01-03-015	Spring Washer 8mm	1
43	01-03-002	Washer 12.5 x 21.5 x 2mm	1

RELEASE DATE:

04 - 2006

6





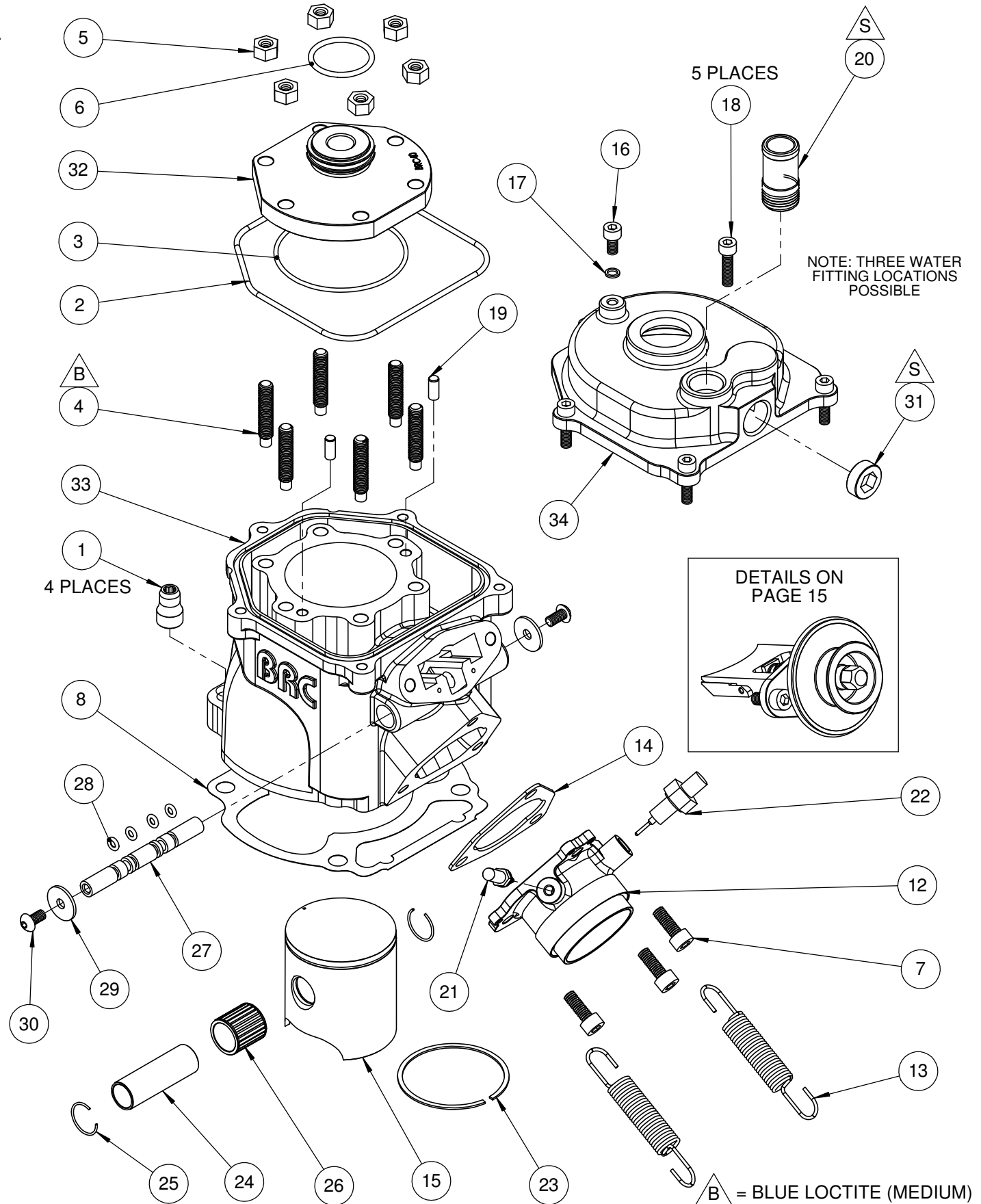
BRC 250 FE

TANDEM GEAR &
DISK VALVE COVER

ITEM	PART NUMBER	DESCRIPTION	QTY
1	02-01-004	Rotary Valve Inner Cover	2
2	01-01-002	SHC M6 X 1.0 X 20mm	6
3	01-01-026	FHC M4 x 0.7 x 8mm	18
4	01-06-002	O-Ring 210 x 2mm	1
5	02-08-004	Intake Manifold 39mm	2
6	01-01-027	BHC M8 x 1.25 x 20mm	4
7	01-03-004	Washer 8.5 x 16 x 1.5mm	4
8	01-09-021	Ball Bearing 6002	1
9	01-08-006	Oil Seal 14 x 24 x 7mm	1
10	01-09-013	Ball Bearing 6004	1
11	01-01-019	SHC M6 x 1.0 x 10mm	3
12	01-08-005	Oil Seal 20 x 35 x 7mm	1
13	01-01-007	SHC M6 x 1.0 x 35mm	2
17	01-01-003	SHC M6 x 1.0 x 50mm	2
15	01-01-006	SHC M6 x 1.0 x 30mm	9
16	02-01-006	Tandem Gear Cover	1
17	01-08-004	Oil Seal 47.63 x 65.07 x 6.35mm	1
18	02-01-016	Oil Filler Cap/Vent	1
19	01-12-007	Gasket 6 x 10 x 1mm	2
20	02-01-014	Tandem Gear Cover Bronze Bushing	1

RELEASE DATE:

04 - 2006





BRC 250 FE

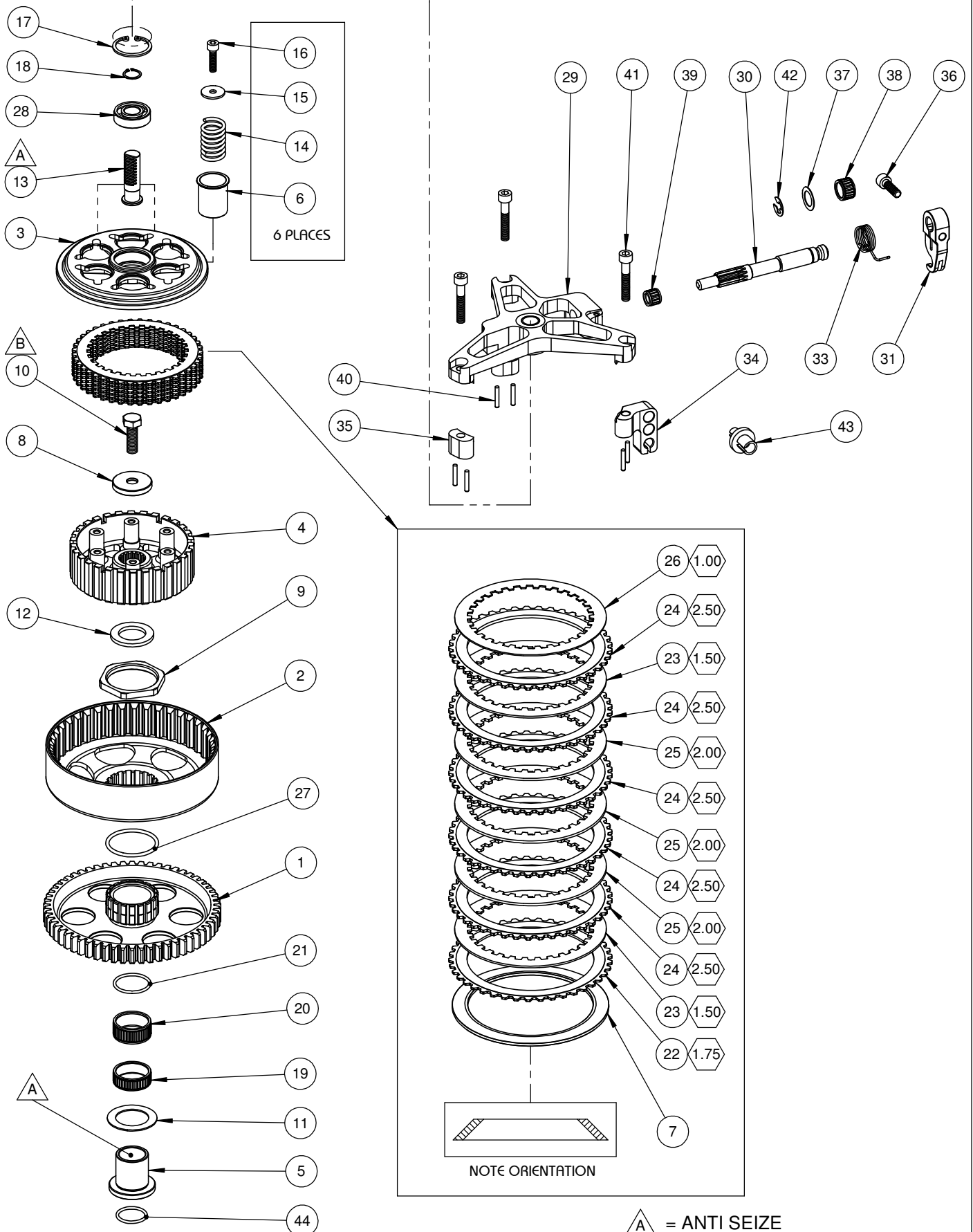
CYLINDER ASSEMBLY

ITEM	PART NUMBER	DESCRIPTION	QTY
1	01-02-002	Cylinder Nut M8 x 1.0	8
2	01-06-011	O-Ring 113mm x 2mm	2
3	01-06-006	O-Ring 61mm x 2mm	2
4	01-01-025	Cylinder Head Stud M7 x 1.0	12
5	01-02-001	Hex Nut M7 x 1.0	12
6	01-06-005	O-Ring 27mm x 2.5mm	2
7	01-01-015	SHC M6 x 1.0 x 16mm	6
8	01-12-001	Cylinder Base Gasket 0.20	As Req'd
9	01-12-002	Cylinder Base Gasket 0.30	As Req'd
10	01-12-003	Cylinder Base Gasket 0.40	As Req'd
11	01-12-004	Cylinder Base Gasket 0.50	As Req'd
12	02-09-004	Exhaust Manifold	2
13	01-10-002	Exhaust Spring	4
14	01-12-005	Exhaust Manifold Gasket	2
15	01-14-002	Piston 53.97mm Bore - Standard Size	2
16	01-01-013	SHC M5 x 0.8 x 10mm	2
17	01-12-010	Gasket 5x7x1	2
18	01-01-009	SHC M5 X 0.8 X 20mm	10
19	01-07-005	Dowel Pin 5mm x 12mm	4
20	02-02-005	Water Fitting - Short	2
21	02-09-005	M5 x 0.8mm EGT PROBE (OPTIONAL)	As Req'd
22	02-09-006	M8 x 1.25mm EGT PROBE (OPTIONAL)	As Req'd
23	01-14-004	Piston Ring	2
24	01-14-005	Wrist Pin	2
25	01-04-002	Circlip 15mm	4
26	01-09-008	Needle Bearing 15 x 19 x 19.7	2
27	02-03-016	Power Valve Shaft Plug	2
28	01-06-010	O-Ring -009	8
29	01-03-006	Washer 5.2 X 18 X 1.5mm	4
30	01-01-028	BHC M5 x 0.8 x 10mm	4
31	02-02-008	Water Fitting Plug	2
32	02-12-005	Combustion Insert BRC40	2
33	02-02-001	125cc Cylinder - Machined	2
34	02-02-006	Head Cover	2

RELEASE DATE:

04 - 2006

10





BRC 250 FE

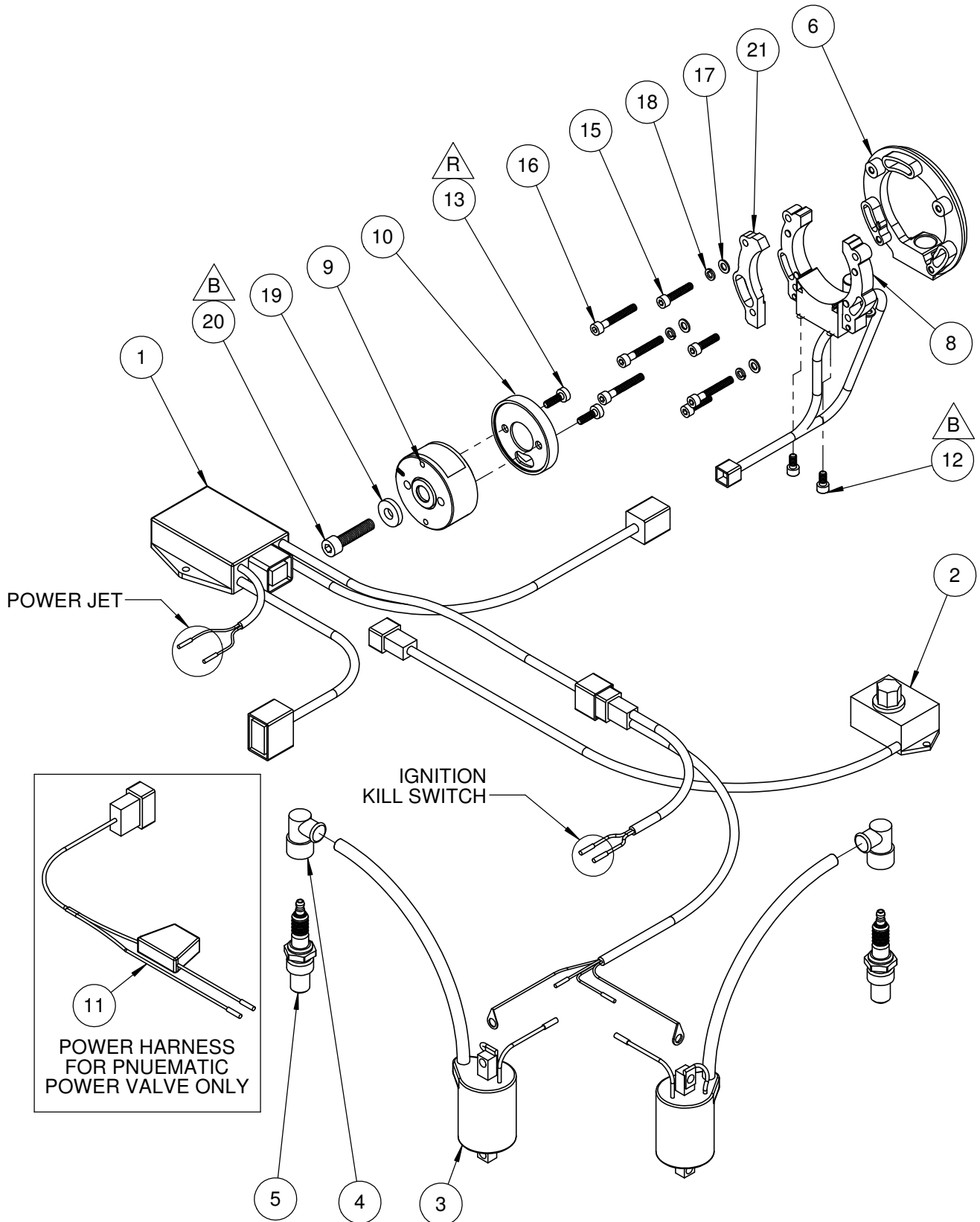
CLUTCH SYSTEM

ITEM	PART NUMBER	DESCRIPTION	QTY
1	02-06-019	Primary Gear 58T	1
2	02-06-001	Outer Clutch Basket	1
3	02-06-008	Pressure Plate	1
4	02-06-002	Inner Clutch Hub	1
5	02-06-018	Primary Gear Bearing Bushing	1
6	02-06-007	Spring Cup	6
7	02-06-009	Spring Plate	1
8	02-06-011	Recessed Washer	1
9	02-06-013	Primary Gear Nut - LH Thread	1
10	01-01-017	Hex Bolt M8 X 1.25 X 25mm Grade 10.9	1
11	01-03-003	Bronze Washer 25.4 X 38 X 1mm	1
12	01-03-005	Spacer 21 X 33 X 2.75mm	1
13	02-06-006	Clutch Rack	1
14	01-10-003	Clutch Spring 40.5mm	6
15	01-03-006	Washer 5.2 X 18 X 1.5mm	6
16	01-01-009	SHC M5 X 0.8 X 20mm	6
17	01-04-001	Internal Retaining Ring 28mm	1
18	01-05-002	External Retaining Ring 12mm	1
19	01-09-018	Needle Bearing 25 X 29 X 10mm	1
20	01-09-017	Needle Bearing 25 X 29 X 13mm	1
21	01-06-007	O-Ring 25 X 2mm	1
22	02-06-014	Friction Plate 1.75mm	1
23	02-06-015	Steel Plate 1.5mm	2
24	02-06-016	Friction Plate 2.50mm	5
25	02-06-017	Steel Plate 2.00mm	3
26	02-06-021	Steel Plate 1.00mm	1
27	01-06-008	O-Ring 35 X 2.5mm	1
28	01-09-012	Ball Bearing 60012RS	1
29	02-06-003	Clutch Spider	1
30	02-06-012	Clutch Release Shaft	1
31	02-06-005	Clutch Lever	1
32	02-06-024	Clutch Spider Rack Bushing	1
33	01-10-001	Clutch Spider Torsion Spring	1
34	02-06-004	Clutch Spider Spacer	1
35	02-01-012	Clutch Spider Spacer	2
36	01-01-002	SHC M6 X 1.0 X 20mm	1
37	01-03-007	Shim 12 X 18 X 0.5mm	1
38	01-09-014	Needle Bearing HK1210	1
39	01-09-015	Needle Bearing K8x12x10TN	1
40	01-07-001	Dowel Pin 3 X 18mm	6
41	01-01-007	SHC M6 x 1.0 x 35mm	3
42	01-05-001	E-Clip 8mm	1
43	02-06-020	Clutch Cable Adjustor	1
44	01-06-012	O-Ring 20 X 2mm	1

RELEASE DATE:

04 - 2006

12



B = BLUE LOCTITE (MEDIUM)

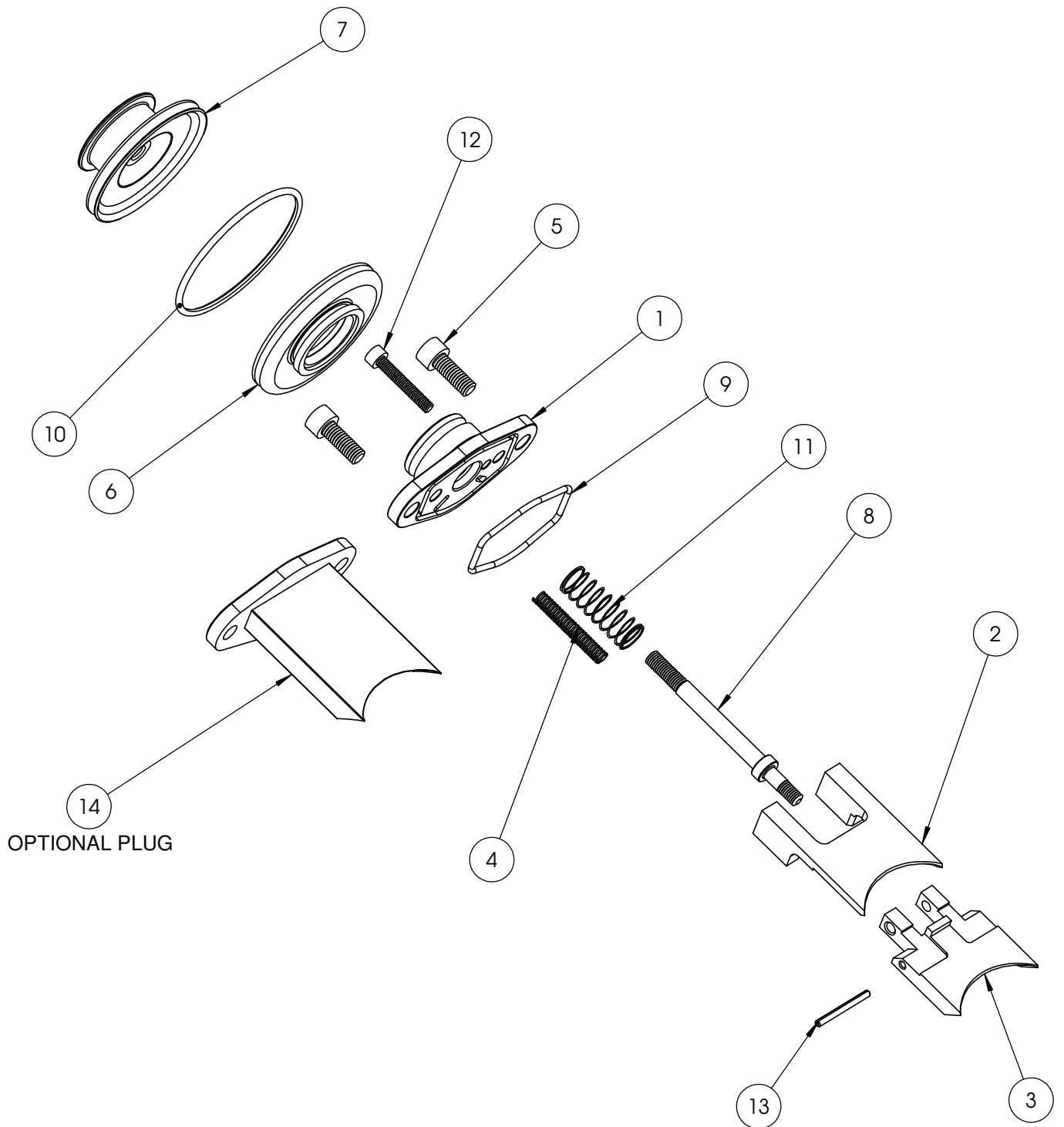
R = RED LOCTITE (STRONG)



BRC 250 FE

IGNITION SYSTEM

ITEM	PART NUMBER	DESCRIPTION	QTY
1	02-07-006	Ignition Control Module	1
2	02-07-009	Ignition Switch	1
3	02-07-011	Coil	1
4	02-07-013	Spark Plug Cap	2
5	02-07-010	Spark Plug - Standard	2
6	02-07-002	Stator Plate	1
7	02-07-007	VR Sensor	1
8	02-07-005	Stator	1
9	02-07-004	Rotor	1
10	02-07-032	Trigger Cup	1
11	02-07-022	Pneumatic Power Valve Power Harness	1
12	01-01-013	SHC M5 x 0.8 x 10mm	2
13	01-01-035	SHC M6 x 0.8 x 16mm Low Head	2
14	01-01-009	SHC M5 X 0.8 X 20mm	2
15	01-01-011	SHC M5 X 0.8 X 25mm	1
16	01-01-012	SHC M5 X 0.8 X 35MM	4
17	01-03-018	Washer 5.5x10x1mm	3
18	01-03-014	Split Washer 5mm	3
19	01-03-030	Washer 8.4 x 20.5 x 3.75mm	1
20	01-01-029	SHC M8 X 1.25 X 35MM Grade 12.9	1
21	02-07-033	Ignition Timing Plate	1





BRC 250 FE

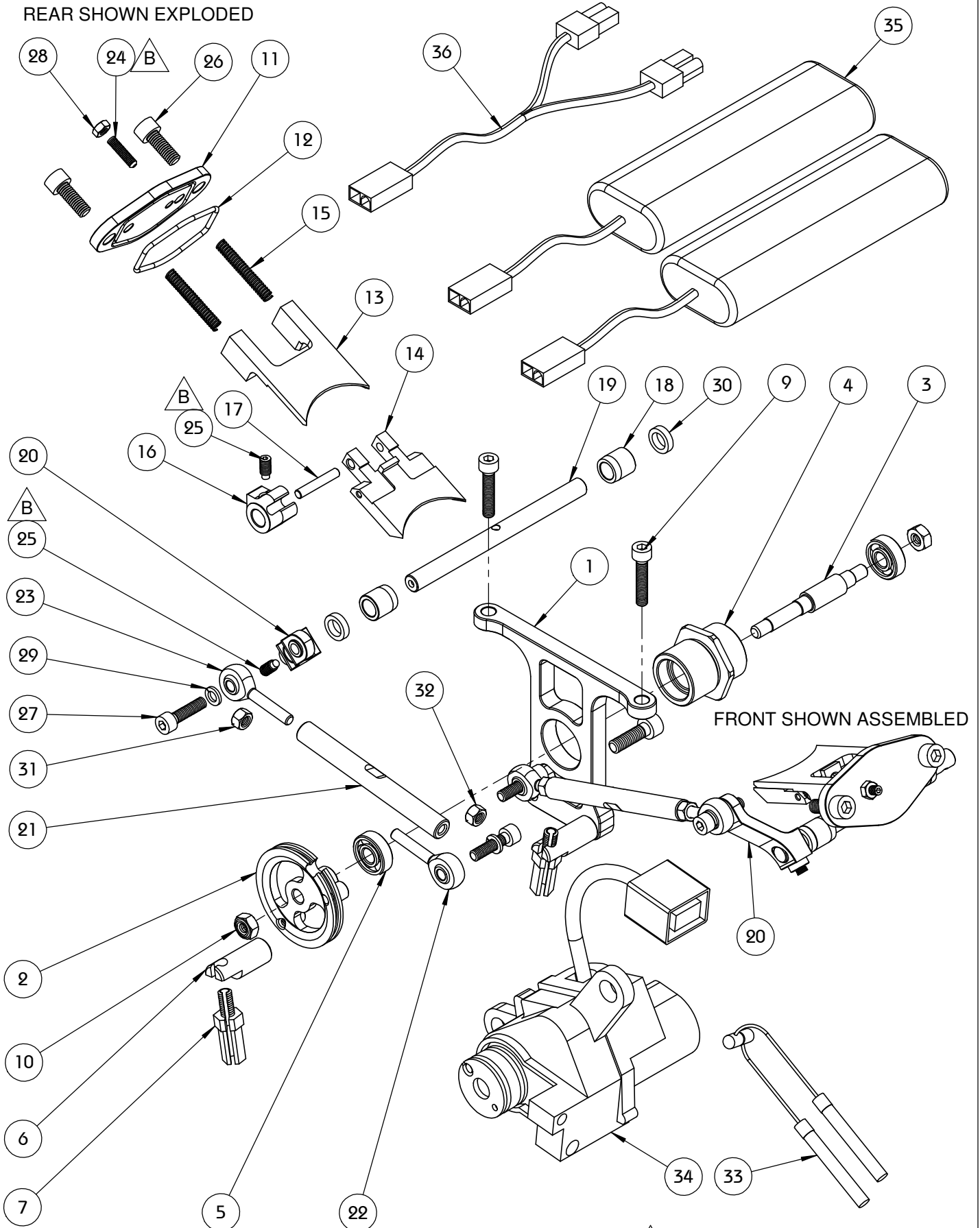
PNEUMATIC
POWER VALVE

ITEM	PART NUMBER	DESCRIPTION	QTY
1	02-03-023	Pneumatic Power Valve Cover	2
2	02-03-001	Upper Valve	2
3	02-03-002	Lower Valve	2
4	01-10-004	Power Valve Compression Spring	2
5	01-01-015	SHC M6 x 1.0 x 16mm	4
6	02-03-025	Pneumatic Power Valve Bellow	2
7	02-03-027	Pneumatic Power Valve Cap	2
8	02-03-024	Pneumatic Power Valve Actuator Rod	2
9	01-06-009	O-Ring 37 x 2mm	2
10	02-03-026	Bellow Retaining Spring	2
11	02-03-028	Pneumatic Power Valve Spring - Large	2
12	01-01-033	SHC M4 x 0.7 x 25mm	2
13	01-07-007	Lower Plate Locking Pin	2
14	03-03-014	Power Valve Plug - Optional	2

RELEASE DATE:

04 - 2006

REAR SHOWN EXPLODED





BRC 250 FE

OPTIONAL ELECTRONIC
POWER VALVE

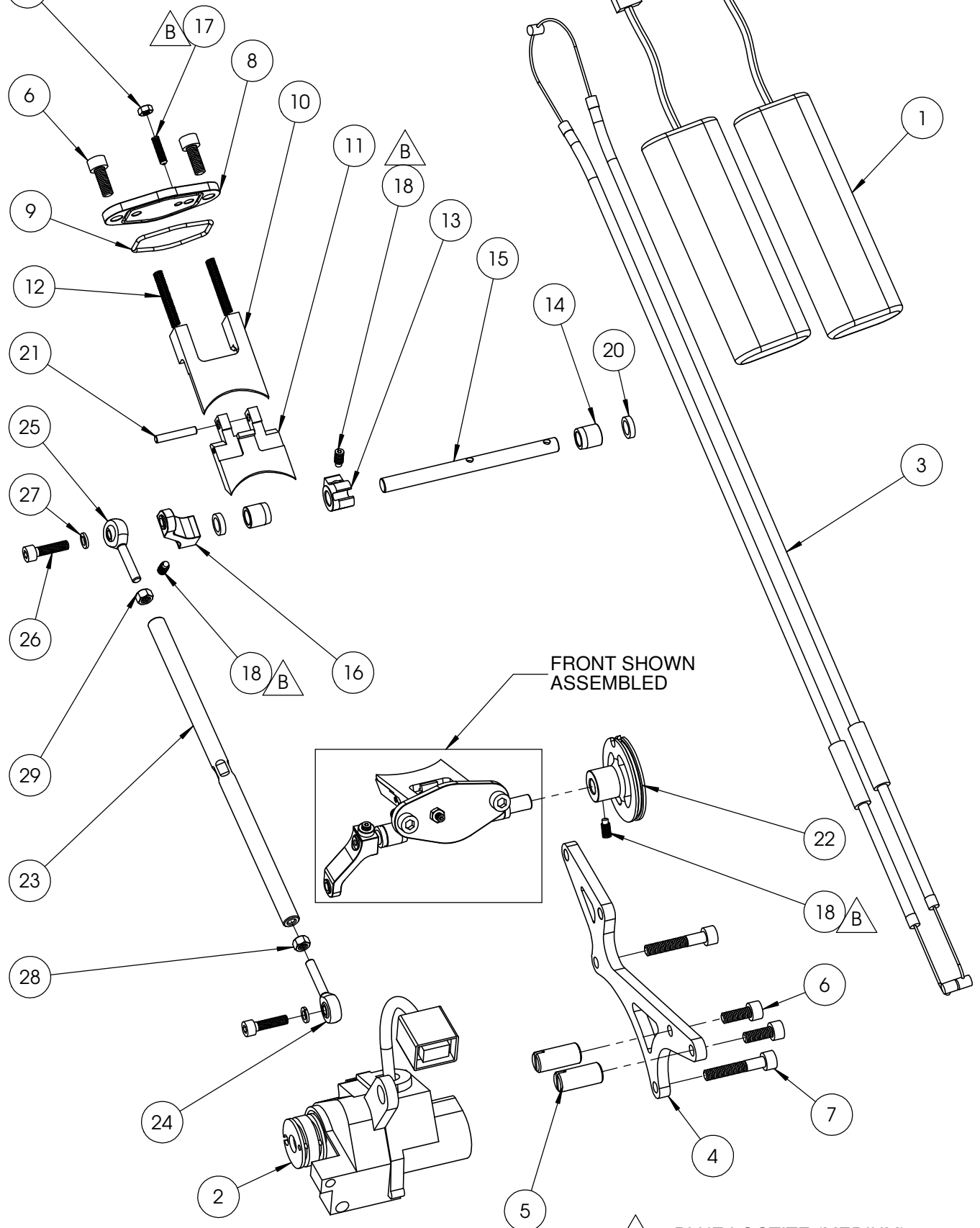
ITEM	PART NUMBER	DESCRIPTION	QTY
1	02-03-006	Bridge	1
2	02-03-007	Pulley	1
3	02-03-010	Pulley Shaft	1
4	02-03-008	Bearing Housing	1
5	01-09-019	Ball Bearing 6072RS	2
6	02-03-009	Cable Post	2
7	02-03-015	Power Valve Cable Adjuster M7 x 1.0mm	2
8	01-01-002	SHC M6 X 1.0 X 20mm	2
9	01-01-011	SHC M5 X 0.8 X 25mm	2
10	01-02-003	Hex Nut M6 x 1.0 Nylock	2
11	02-03-013	Electronic Power Valve Cover	2
12	01-06-009	O-Ring 37 x 2mm	2
13	02-03-001	Upper Valve	2
14	02-03-002	Lower Valve	2
15	01-10-004	Power Valve Compression Spring	4
16	02-03-005	Power Valve Fork	2
17	01-07-004	Dowel Pin 4 x 24mm	2
18	02-03-012	Bushing 8 x 12 x 12mm	4
19	02-03-003	Power Valve Axle	2
20	02-03-004	Power Valve Lever	2
21	02-03-011	Tie Rod	2
22	02-03-021	Rod End M5 LH	2
23	02-03-017	Rod End M5 RH	2
24	01-01-024	SHSS M4 x 0.7 x 16mm Cup Point	2
25	01-01-021	SHSS M5 x 0.8 x 10mm Dog Point	4
26	01-01-015	SHC M6 x 1.0 x 16mm	4
27	01-01-009	SHC M5 X 0.8 X 20mm	4
28	01-02-004	Hex Nut M4 x 0.7	2
29	01-03-014	Split Washer 5mm	4
30	01-08-003	Oil Seal 8 x 12 x 3mm	4
31	01-02-005	Hex Nut M5 x 0.8mm	2
32	01-02-006	Hex Nut M5 x 0.8mm LH	2
33	02-03-020	Servo Cable	1
34	02-03-019	Servo Motor	1
35	02-03-018	Battery 7.2V	2
36	02-03-022	Battery Connector	1

RELEASE DATE:

04 - 2006

18

REAR SHOWN EXPLODED



FRONT SHOWN
ASSEMBLED

= BLUE LOCTITE (MEDIUM)



BRC 250 FE

OPTIONAL
ELECTRONIC POWER
VALVE VERSION 2

ITEM	PART NUMBER	DESCRIPTION	QTY
1	02-03-018	Battery 7.2V	2
2	02-03-019	Servo Motor	1
3	02-03-020	Servo Cable	1
4	02-03-033	Cable & Coil Bracket	1
5	02-03-032	Cable Post - Version 2	2
6	01-01-015	SHC M6 x 1.0 x 16mm	6
7	01-01-007	SHC M6 x 1.0 x 35mm	2
8	02-03-013	Electronic Power Valve Cover	2
9	01-06-009	O-Ring 37 x 2mm	2
10	02-03-001	Upper Valve	2
11	02-03-002	Lower Valve	2
12	01-10-004	Power Valve Compression Spring	4
13	02-03-005	Power Valve Fork	2
14	02-03-012	Bushing 8 x 12 x 12mm	4
15	02-03-034	Power Valve Axle - Version 2	2
16	02-03-004	Power Valve Lever	2
17	01-01-024	SHSS M4 x 0.7 x 16mm Cup Point	2
18	01-01-021	SHSS M5 x 0.8 x 10mm Dog Point	5
19	01-02-004	Hex Nut M4 x 0.7	2
20	01-08-003	Oil Seal 8 x 12 x 3mm	4
21	01-07-004	Dowel Pin 4 x 24mm	2
22	02-03-030	Pulley - Version 2	1
23	02-03-031	Tie Rod - Version 2	1
24	02-03-021	Rod End M5 LH	1
25	02-03-017	Rod End M5 RH	1
26	01-01-009	SHC M5 X 0.8 X 20mm	2
27	01-03-014	Split Washer 5mm	2
28	01-02-006	Hex Nut M5 x 0.8mm LH	1
29	01-02-005	Hex Nut M5 x 0.8mm	1

RELEASE DATE:

04-2006

20